

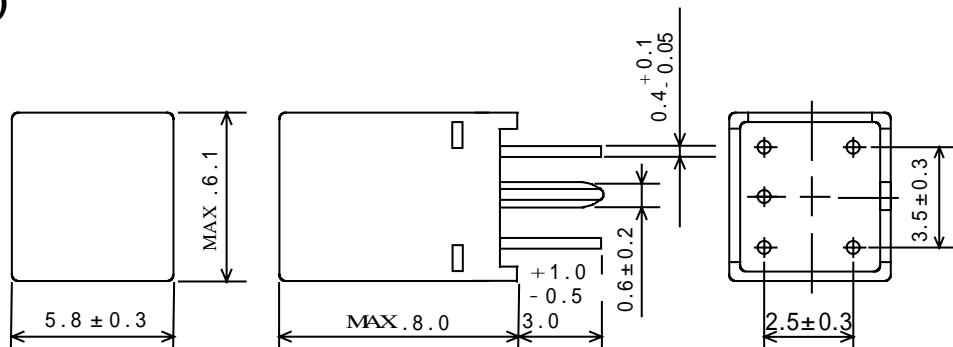
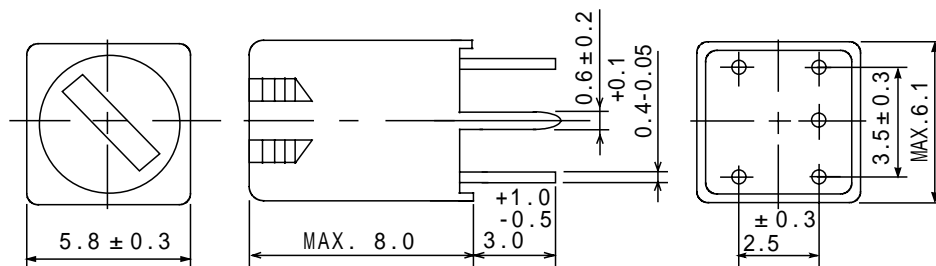
Type: Y-5,Y-5G
Product Description

- 6.1 × 6.1mm Max.(L × W), 8.0mm Max. Height.
- Operating frequency:0.1~20MHz
- In addition to the reference versions of parameters shown here, custom designs are available to meet your exact requirements

Feature

- Variable(Y-5G) and fixed(Y-5) shielded types are both available.
- Two chip capacitors can be internally mounted in one section.
- Ideally used as video frequency LC filters for VCR, video cameras, etc. (LPF, BPF, Delay Line and Equalizers).
- RoHS Compliance

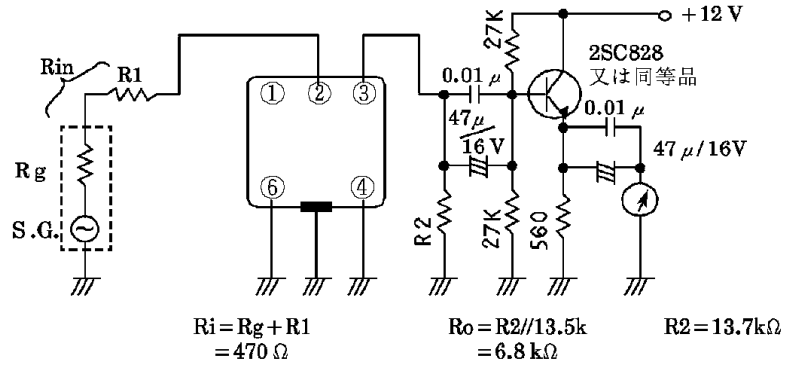
Dimensions (mm)

Y-5

Y-5G


Type: Y-5, Y-5G

Testing Circuit

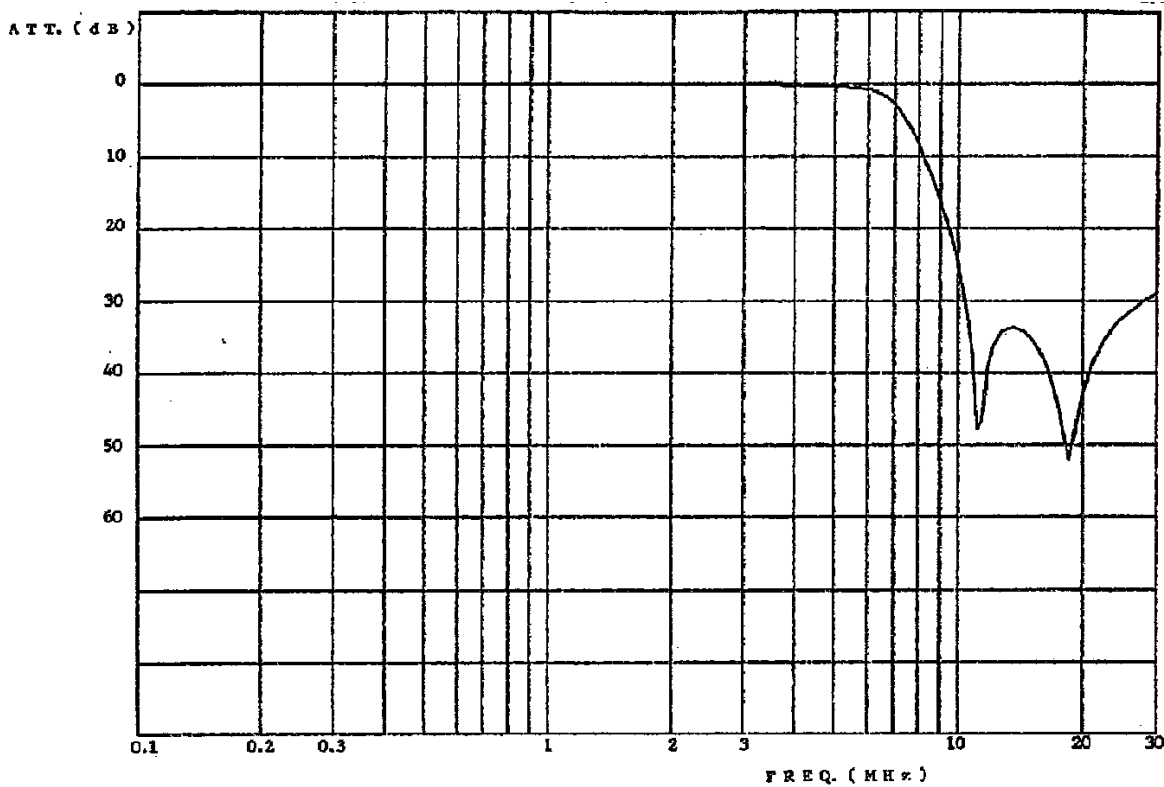
Y-5



Specification (Y-5, Part Number: 2539-JPS-030)

Item	Specification
Input impedance (Rin)	470Ω
Output impedance (Rout)	6.8kΩ
Attenuation	7.0MHz
	11.2MHz
	30dB Min..
Insertion loss	0.1MHz
	1.0dB Max.

Frequency Response (Attenuation 0dB at 0.1MHz)

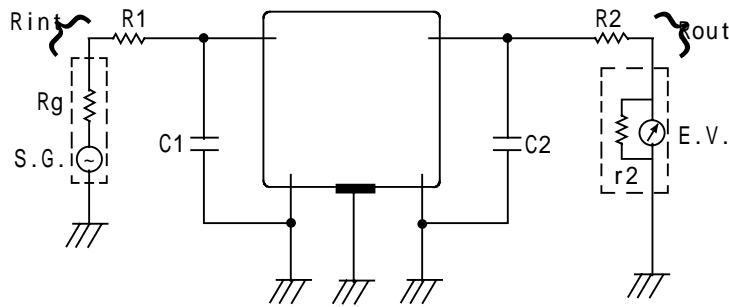


Please refer to the sales offices on our website for a representative near you

Type: Y-5, Y-5G

Testing Circuit

Y-5G

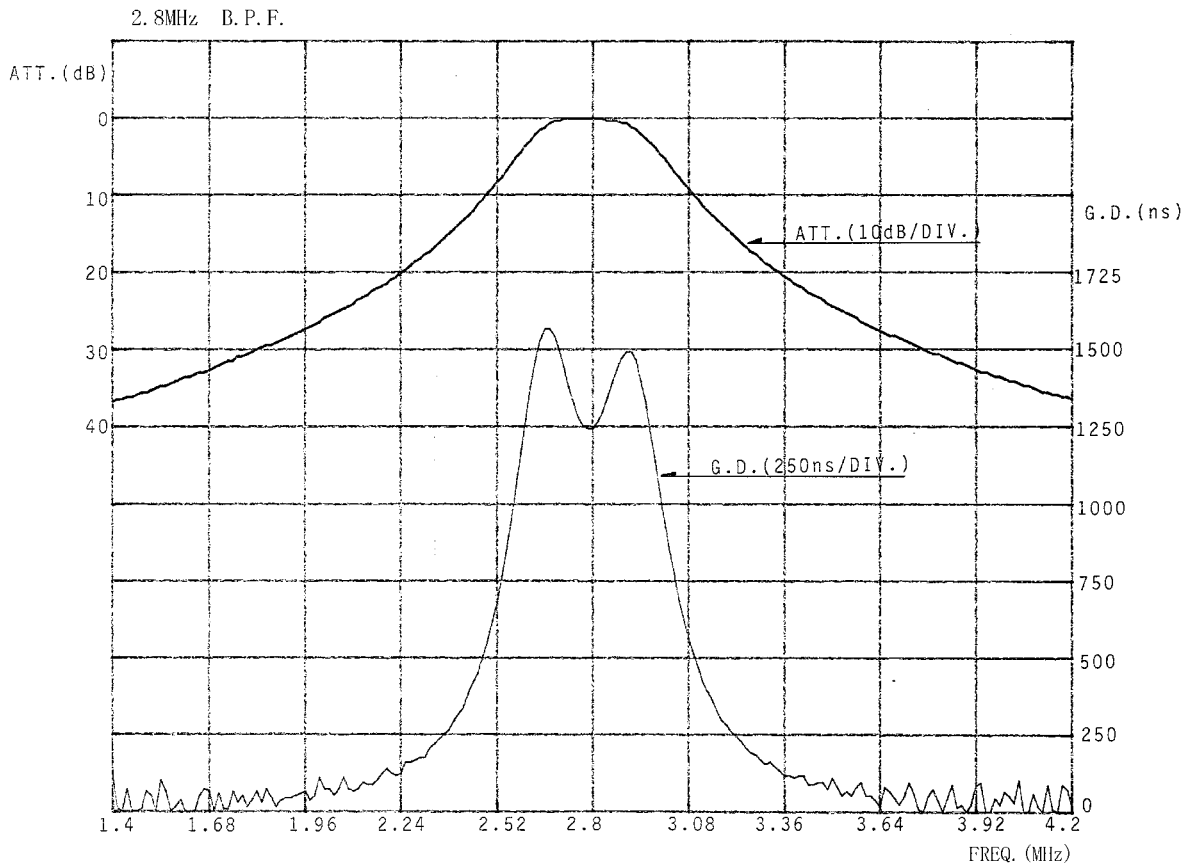


$R_{in} = R_g + R_1 = 1.8K$
 $R_{out} = 1.8K$
 $C_1 = C_2 = 430pF \pm 2\%$

Specification (Y-5G, Part Number: 2540-T024)

Item	Spec. A	
Input impedance (Rin)	1.8kΩ	
Output impedance (Rout)	1.8kΩ	
Attenuation	2.63MHz	3.0dB±3.0dB within
	2.97MHz	3.0dB±3.0dB within
	2.0MHz	18dB Min.
	3.6MHz	18dB Min.
Insertion loss	2.8MHz	4.5dB Max.
Group delay time	2.8MHz	1230ns±250ns within

Frequency Response (Attenuation 0dB at 2.8MHz)



Please refer to the sales offices on our website for a representative near you